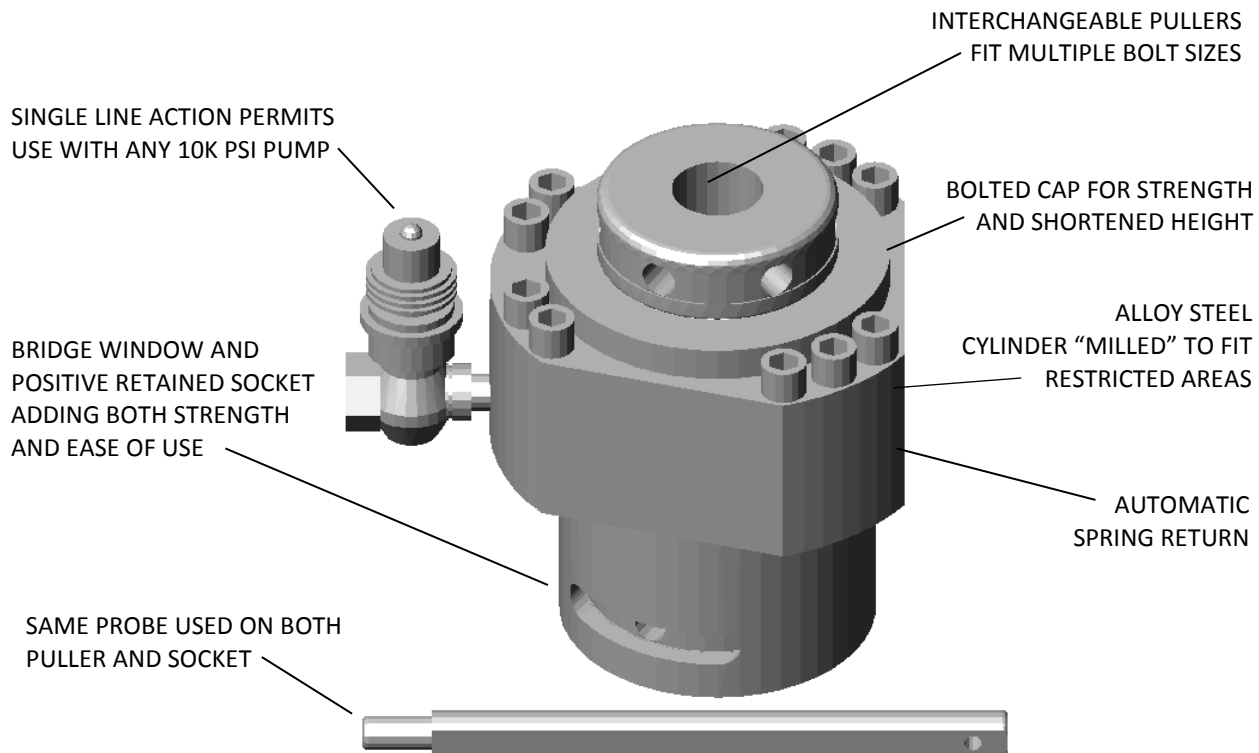




X - BOT

EXTREME BOLT TENSIONER

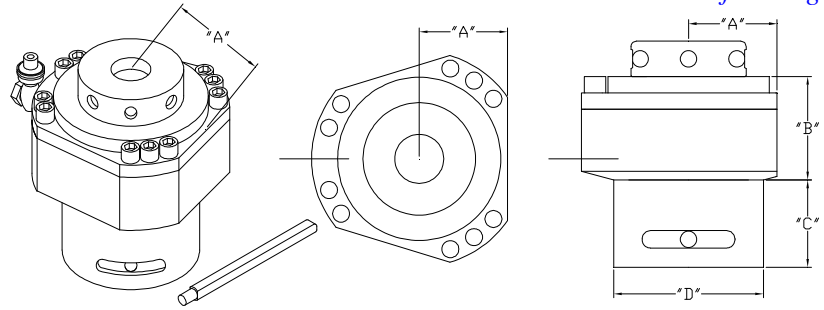


X-BOT EXTREME BOLT TENSIONER						
	IMPERIAL			METRIC		
	BOLT RANGE	MAX. LOAD @ 10k PSI	STROKE	BOLT RANGE	MAX. LOAD @ 700 BAR	STROKE
X-BOT 1	3/4" - 1-1/8"	50k LBS.	.28"	M20 - M27	222 kN	7.11 MM
X-BOT 2	1-1/8" - 1-1/2"	86k LBS.	.375"	M27 - M39	383 kN	9.5 MM
X-BOT 3	1-1/2" - 2"	162k LBS.	.375"	M39 - M52	720 kN	9.5 MM
X-BOT 4	1-7/8" - 2-1/2"	253k LBS.	.625"	M48 - M64	1,125 kN	16 MM
X-BOT 5	2-1/2" - 3"	368k LBS.	.625"	M64 - M76	1,638 kN	16 MM
X-BOT 6	3" - 4"	548k LBS.	.625"	M76 - M100	2,439 kN	16 MM



X-BOT™ EXTREME BOLT TENSIONER

T: +65 9795 0752
E: sales@norwolftools.sg
W: www.norwolftools.sg



IMPERIAL

XBOT SERIES 1		STROKE: .28"			
MAXIMUM LOAD: 50,000 LBS. @ 10K PSI					
PART NO.	BOLT	"A"	"B"	"C"	"D"
XBOT 1 - 075	3/4" - 10	1.56"	1.84"	1.45"	2.09"
XBOT 1 - 087	7/8" - 9	1.56"	1.84"	1.57"	2.27"
XBOT 1 - 100	1" - 8	1.56"	1.84"	1.69"	2.46"
XBOT 1 - 112	1-1/8" - 8	1.56"	1.84"	1.82"	2.65"

XBOT SERIES 2		STROKE: .375"			
MAXIMUM LOAD: 86,000 LBS. @ 10K PSI					
PART NO.	BOLT	"A"	"B"	"C"	"D"
XBOT 2 - 112	1-1/8" - 8	2.03"	2.37"	1.97"	2.62"
XBOT 2 - 125	1-1/4" - 8	2.03"	2.37"	2.09"	2.89"
XBOT 2 - 137	1-3/8" - 8	2.03"	2.37"	2.22"	3.10"
XBOT 2 - 150	1-1/2" - 8	2.03"	2.37"	2.34"	3.44"

XBOT SERIES 3		STROKE: .375"			
MAXIMUM LOAD: 162,000 LBS. @ 10K PSI					
PART NO.	BOLT	"A"	"B"	"C"	"D"
XBOT 3 - 150	1-1/2" - 8	2.80"	3.27"	2.74"	4.00"
XBOT 3 - 162	1-5/8" - 8	2.80"	3.27"	2.87"	4.19"
XBOT 3 - 175	1-3/4" - 8	2.80"	3.27"	2.99"	4.37"
XBOT 3 - 187	1-7/8" - 8	2.80"	3.27"	3.12"	4.56"
XBOT 3 - 200	2" - 8	2.80"	3.27"	3.24"	4.75"

XBOT SERIES 4		STROKE: .625"			
MAXIMUM LOAD: 253,000 LBS. @ 10K PSI					
PART NO.	BOLT	"A"	"B"	"C"	"D"
XBOT 4 - 187	1-7/8" - 8	3.41"	3.96"	3.16"	4.63"
XBOT 4 - 200	2" - 8	3.41"	3.96"	3.41"	5.00"
XBOT 4 - 225	2-1/4" - 8	3.41"	3.96"	3.66"	5.38"
XBOT 4 - 250	2-1/2" - 8	3.41"	3.96"	3.91"	5.75"

XBOT SERIES 5		STROKE: .625"			
MAXIMUM LOAD: 368,000 LBS. @ 10K PSI					
PART NO.	BOLT	"A"	"B"	"C"	"D"
XBOT 5 - 250	2-1/2" - 8	4.20"	4.60"	4.36"	6.25"
XBOT 5 - 275	2-3/4" - 8	4.20"	4.60"	4.61"	6.63"
XBOT 5 - 300	3" - 8	4.20"	4.60"	4.86"	7.00"

XBOT SERIES 6		STROKE: .625"			
MAXIMUM LOAD: 548,000 LBS. @ 10K PSI					
PART NO.	BOLT	"A"	"B"	"C"	"D"
XBOT 6 - 300	3" - 8	4.80"	6.13"	5.48"	7.90"
XBOT 6 - 325	3-1/4" - 8	4.80"	6.13"	5.73"	8.28"
XBOT 6 - 350	3-1/2" - 8	4.80"	6.13"	5.98"	8.65"
XBOT 6 - 375	3-3/4" - 8	4.80"	6.13"	6.23"	9.03"
XBOT 6 - 400	4" - 8	4.80"	6.13"	6.48"	9.40"

METRIC

XBOT SERIES 1		STROKE: 7.11 MM			
MAXIMUM LOAD: 222 Kilo Newtons @ 700 BAR					
PART NO.	BOLT	"A"	"B"	"C"	"D"
XBOT 1 - M20	20 x 2.5	40 MM	47 MM	37 MM	53 MM
XBOT 1 - M22	22 x 2.5	40 MM	47 MM	40 MM	58 MM
XBOT 1 - M24	24 x 3	40 MM	47 MM	43 MM	62 MM
XBOT 1 - M27	27 x 3	40 MM	47 MM	46 MM	67 MM

XBOT SERIES 2		STROKE: 9.5 MM			
MAXIMUM LOAD: 383 Kilo Newtons @ 700 BAR					
PART NO.	BOLT	"A"	"B"	"C"	"D"
XBOT 2 - M27	27 x 3	52 MM	60 MM	50 MM	67 MM
XBOT 2 - M30	30 x 3.5	52 MM	60 MM	53 MM	73 MM
XBOT 2 - M33	33 x 3.5	52 MM	60 MM	53 MM	73 MM
XBOT 2 - M36	36 x 4	52 MM	60 MM	56 MM	79 MM
XBOT 2 - M39	39 x 4	52 MM	60 MM	59 MM	87 MM

XBOT SERIES 3		STROKE: 9.5 MM			
MAXIMUM LOAD: 720 Kilo Newtons @ 700 BAR					
PART NO.	BOLT	"A"	"B"	"C"	"D"
XBOT 3 - M39	39 x 4	71 MM	83 MM	70 MM	102 MM
XBOT 3 - M42	42 x 4.5	71 MM	83 MM	73 MM	107 MM
XBOT 3 - M45	45 x 4.5	71 MM	83 MM	76 MM	111 MM
XBOT 3 - M48	48 x 5	71 MM	83 MM	79 MM	116 MM
XBOT 3 - M52	52 x 5	71 MM	83 MM	82 MM	121 MM

XBOT SERIES 4		STROKE: 16 MM			
MAXIMUM LOAD: 1,125 Kilo Newtons @ 700 BAR					
PART NO.	BOLT	"A"	"B"	"C"	"D"
XBOT 4 - M48	48 x 5	87 MM	101 MM	80 MM	118 MM
XBOT 4 - M52	52 x 5	87 MM	101 MM	87 MM	127 MM
XBOT 4 - M56	56 x 5.5	87 MM	101 MM	93 MM	136 MM
XBOT 4 - M60	60 x 5.5	87 MM	101 MM	98 MM	146 MM
XBOT 4 - M64	64 x 5.5	87 MM	101 MM	98 MM	146 MM

XBOT SERIES 5		STROKE: 16 MM			
MAXIMUM LOAD: 1,638 Kilo Newtons @ 700 BAR					
PART NO.	BOLT	"A"	"B"	"C"	"D"
XBOT 5 - M64	64 x 6	107 MM	117 MM	111 MM	159 MM
XBOT 5 - M68	68 x 6	107 MM	117 MM	111 MM	159 MM
XBOT 5 - M72	72 x 6	107 MM	117 MM	117 MM	168 MM
XBOT 5 - M76	76 x 6	107 MM	117 MM	124 MM	178 MM

XBOT SERIES 6		STROKE: 16 MM			
MAXIMUM LOAD: 2,439 Kilo Newtons @ 700 BAR					
PART NO.	BOLT	"A"	"B"	"C"	"D"
XBOT 6 - M76	76 x 6	122 MM	156 MM	139 MM	201 MM
XBOT 6 - M80	80 x 6	122 MM	156 MM	139 MM	201 MM
XBOT 6 - M85	85 x 6	122 MM	156 MM	145 MM	210 MM
XBOT 6 - M90	90 x 6	122 MM	156 MM	152 MM	220 MM
XBOT 6 - M95	95 x 6	122 MM	156 MM	158 MM	229 MM
XBOT 6 - M100	100 x 6	122 MM	156 MM	165 MM	239 MM

NOTE: DIMENSIONS SUBJECT TO CHANGE